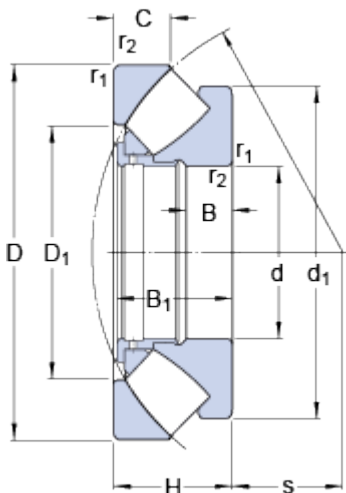


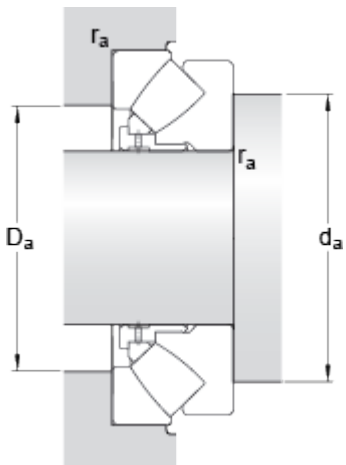
294/600

Dimensions



d	600	mm
D	1030	mm
H	258	mm
d ₁	≈ 940	mm
D ₁	≈ 769	mm
B	99	mm
B ₁	249	mm
C	128	mm
s	349	mm
r _{1,2}	min. 12	mm

Abutment dimensions



d _a	min. 815	mm
D _a	max. 900	mm
r _a	max. 10	mm

Calculation data

Basic dynamic load rating	C	13100	kN
Basic static load rating	C ₀	56000	kN
Fatigue load limit	P _u	4000	kN
Reference speed		280	r/min
Limiting speed		530	r/min
Minimum axial load factor	A	300	

Mass

Mass bearing		845	kg
--------------	--	-----	----